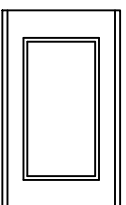
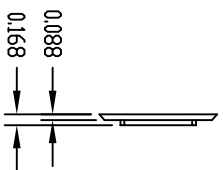
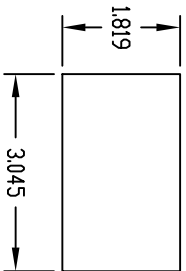
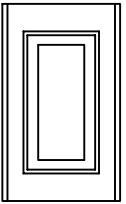
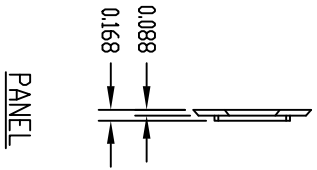
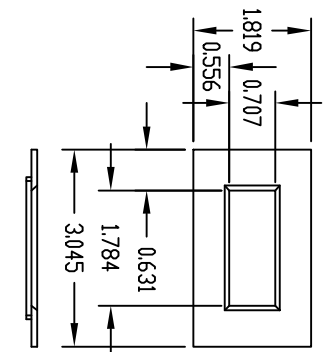


PART NAME PLASTIBOX (STYLE "G")

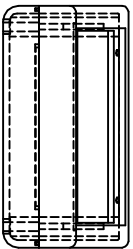
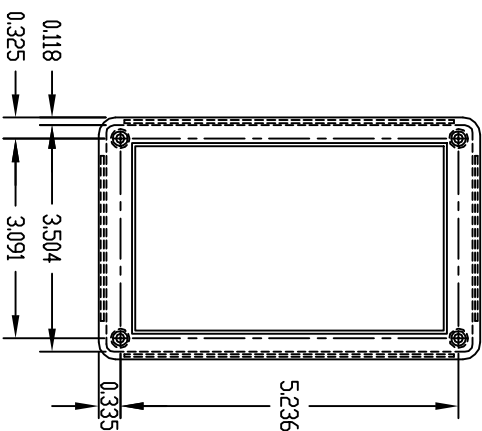
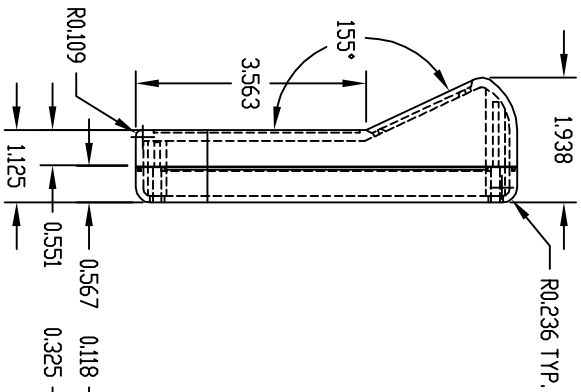
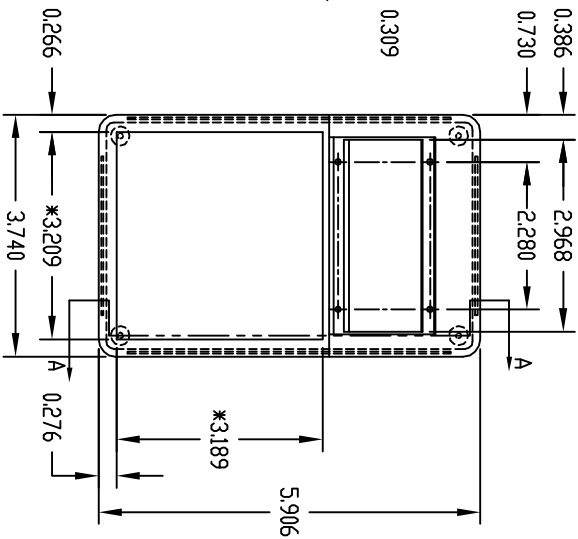
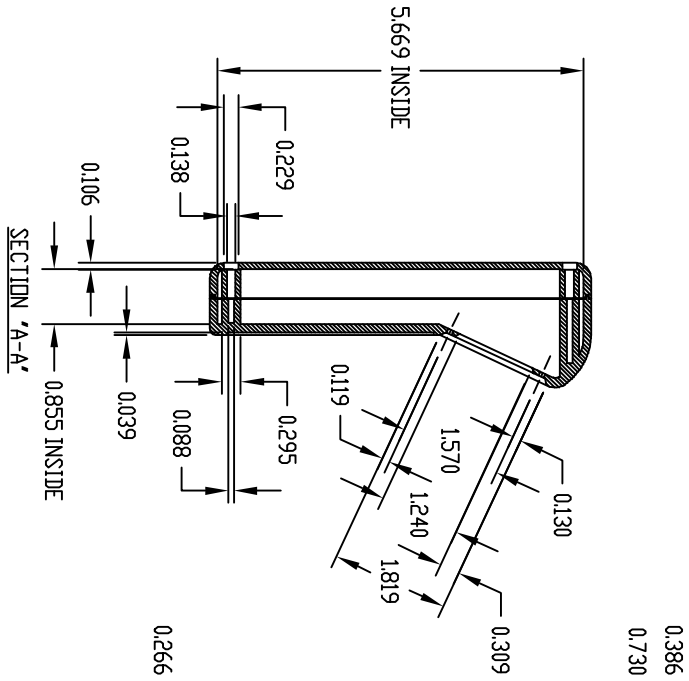
PART No.

PSP-11563



PANEL

SOLID PANEL



BASE AND COVER

MATERIAL - HIGH-IMPACT ABS  
 COLOR - BLACK  
 FINISH - LIGHT GRAY  
 \* - SMOOTH AREA  
 (4) M3 x 21mm SCREWS INCLUDED.  
 ALL DIMENSIONS HAVE ±0.015 TOLERANCE.